

充电系列 Charging Series



过载保护



短路保护

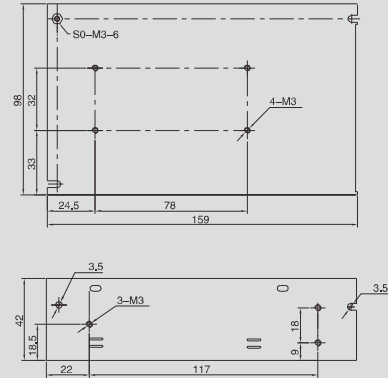


电池反充保护

70W 单路充电电源 (230V AC输入)
70W Single Output (230V AC input only)
 Size (L*W*H):
 159mm x 98mm x 42mm



CE



产品特性

230Vac输入
 通电指示灯
 金属外壳
 过载 / 短路保护
 电池反充保护
 1年质保

Product features

230Vac input only
 Power on indication
 Metal case
 Protections: Overload / Short circuit
 Battery reverse charge protection
 1 year warranty

技术特性

输入电压 195~253Vac
 输入频率 50~60Hz
 冲击电流 40A@230Vac 满载冷态
 保持时间 $\geq 20\text{ms}$ @230Vac 满载
 过载保护 150% 额定输出功率
 运行温度 -20°C ~ 40°C
 安全标准 EN60950, GB4943-2001
 EMC标准 EN55022 Class B, EN55024
 绝缘标准 I/P-O/P: 3kVac, 1min
 I/P-FG: 1.5kVac, 1min
 O/P-FG: 0.5kVac, 1min
 重量 0.45kg/pcs

Specifications

Input voltage 195~253Vac
 Input frequency 50~60Hz
 Inrush current 40A@220Vac full load cold start
 Hold up time $\geq 20\text{ms}$ @230Vac full load
 Overload protection 150% of the rated output power
 Operating temperature -20°C ~ 40°C
 Safety standard EN60950, GB4943-2001
 EMC standard EN55022 Class B, EN55024
 Withstand voltage I/P-O/P: 3kVac, 1min
 I/P-FG: 1.5kVac, 1min
 O/P-FG: 0.5kVac, 1min
 Weight 0.45kg/pcs

P/N 产品型号	Output 输出	R & N 纹波 & 噪声	Effi. 效率	Load Regulation 负载调整率
ESP-70-13.8	13.8V, 5A	120mV	75%	$\pm 1\%$
ESP-70-27.6	27.6V, 2.5A	240mV	80%	$\pm 1\%$